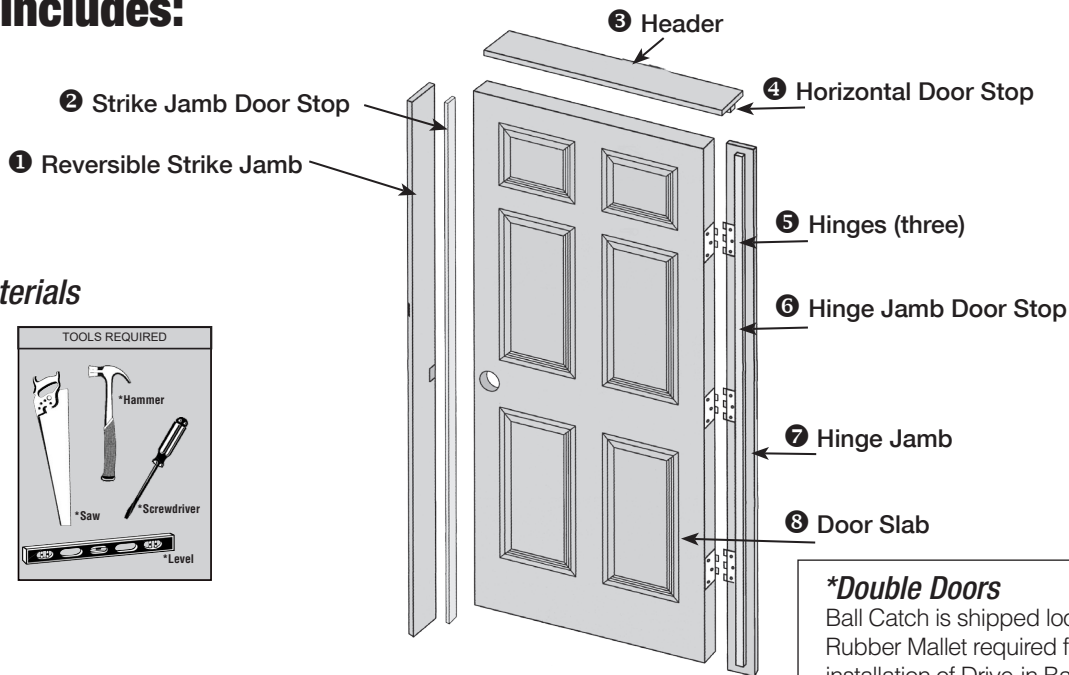


Knock Down Installation Instructions

Hang Your Door in 4 Simple Steps!

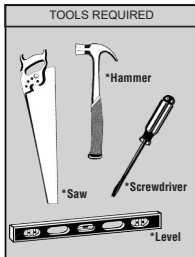
Door Kit Includes:



Required Materials

(NOT INCLUDED)

- 2 1/2" Screws
- 1" Screw
- Paint
- Door Lock
- Shims (x8)



*Double Doors

Ball Catch is shipped loose.
Rubber Mallet required for installation of Drive-in Ball Catch.

ROUGH OPENING (R.O) ROOM ACCEPTANCE

CHART A

DOOR DIMENSIONS	R.O. WIDTH	R.O. HEIGHT
18" X 80"	20 1/2"	82 1/2"
20" X 80"	22 1/2"	82 1/2"
22" X 80"	24 1/2"	82 1/2"
24" X 80"	26 1/2"	82 1/2"
26" X 80"	28 1/2"	82 1/2"
28" X 80"	30 1/2"	82 1/2"
30" X 80"	32 1/2"	82 1/2"
32" X 80"	34 1/2"	82 1/2"
34" X 80"	36 1/2"	82 1/2"
36" X 80"	38 1/2"	82 1/2"

Minimum Clearance Required

STEP 1 ROUGH OPENING

Before beginning, ensure that the rough opening is 2 1/2" wider than the door width and 2 1/2" higher than the door height. (Refer to chart 'A' for reference.) This makes installing your new door simple by giving you room to square the door frame easily.

***NOTE.** when working with doors with a 78" height dimension use same principal for your rough opening (i.e. 32" x 78" will need a 80 1/2" R.O. Height).

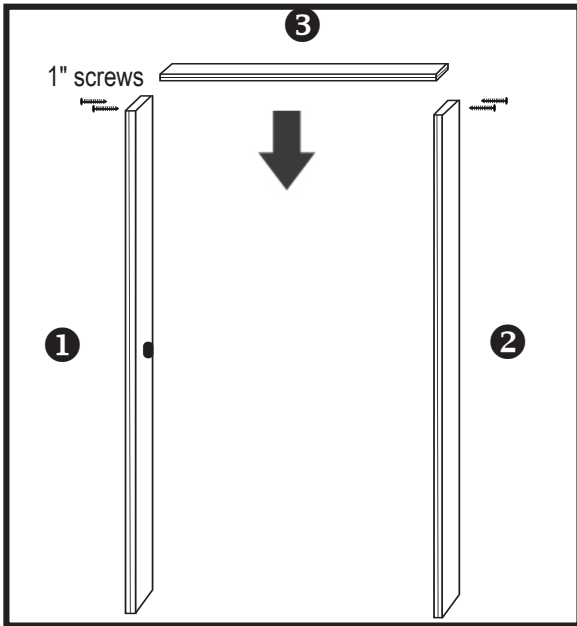
distributed by



FEATURING DOOR SLABS BY



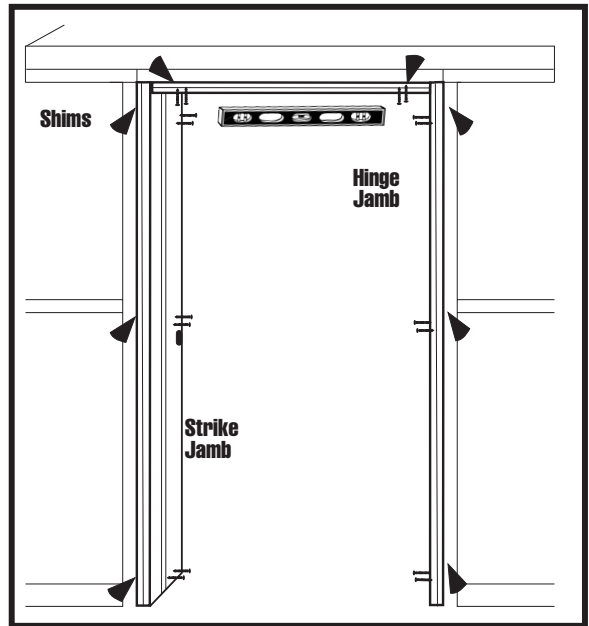
Figure 1



STEP 2 ASSEMBLE DOOR FRAME

Gather Door Jamb components and lay on the floor to assemble your door frame. Using 1" screws, attach header (3) to jambs (1 & 2) with at least two screws on each side (see Figure 1). Pre-Drill using 1/8" drill bit.

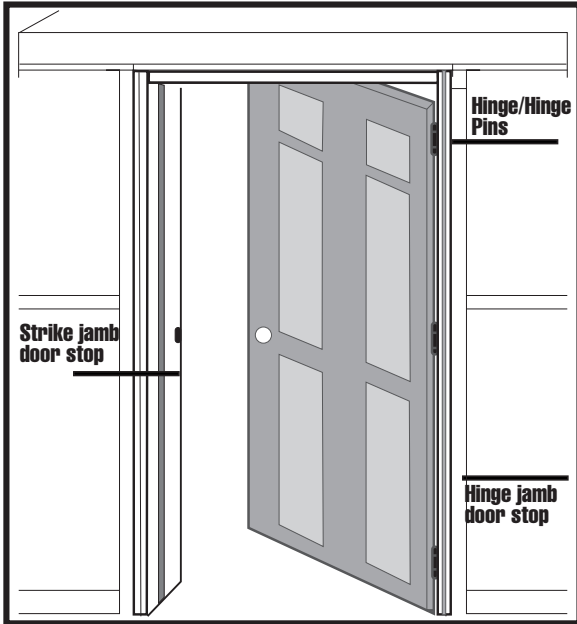
Figure 2



STEP 3 INSTALL FRAME INTO R.O.

Using 2½" screws/nails and shims fasten frame to your R.O. (see Figure 2). Using a level ensure your frame is exactly vertical by adjusting your shims accordingly. *When working with an off standard opening some trimming of the jambs may be required.

Figure 3



STEP 4 INSTALL DOOR ON HINGES

Install your door onto hinges and secure it by inserting the hinge pins. Check it's swing to make sure the gaps are even on all sides, Some slight adjustments may be required using the shims. Once the door swing is centred and flush move it into the closed position and install door stops beginning with hinge jamb (see Figure 3). Please refer to the note below on doorstop adjustments. Install your door lock system and your door is complete!

NOTE: Doorsmith installs doorstops with minimal fasteners to allow for removal for appropriate installation of the door. Whether or not the doorstop is removed for installation, the doorstop will require appropriate adjustments and installation of additional fasteners to square stop to door once the door and frame are in their final installed position. This applies to knock-down(KD), reversible(RV), and fully-assembled (FA) doors from Doorsmith.



We warrant to the original owner if your Doorsmith/Jeld-Wen Product exhibits a defect in material or workmanship within 5 years from the date of purchase, we will, at our option, repair, replace or refund the purchase price of the Product or component part.