

# Bi-fold Knock Down Frame Kit Installation Instructions

## ROUGH OPENING (R.O) ROOM ACCEPTANCE

### CHART A

DOOR DIMENSIONS	R.O. WIDTH	R.O. HEIGHT
18" X 80"	20½"	82½"
20" X 80"	22½"	82½"
22" X 80"	24½"	82½"
24" X 80"	26½"	82½"
26" X 80"	28½"	82½"
28" X 80"	30½"	82½"
30" X 80"	32½"	82½"
32" X 80"	34½"	82½"
34" X 80"	36½"	82½"
36" X 80"	38½"	82½"

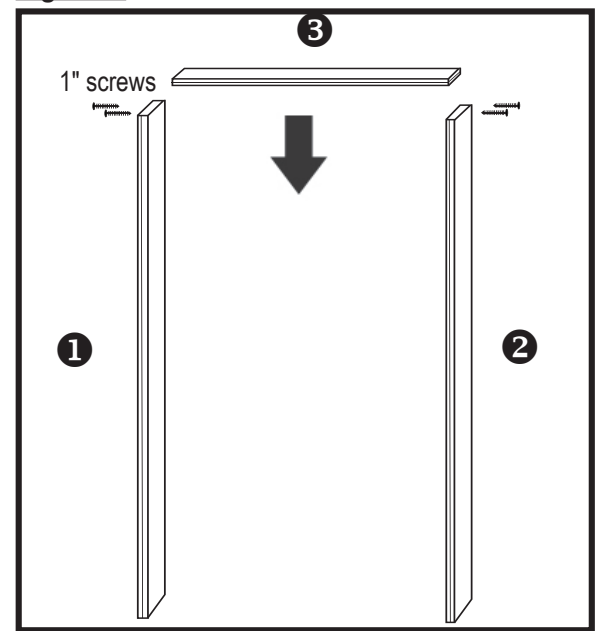
Minimum Clearance Required

## STEP 1 ROUGH OPENING

Before beginning, ensure that the rough opening is 2½" wider than the door width and 2½" higher than the door height. (Refer to chart 'A' for reference.) This makes installing your new door simple by giving you room to square the door frame easily.

\*NOTE. when working with doors with a 78" height dimension use same principal for your rough opening (i.e. 32" x 78" will need a 80½" R.O. Height).

Figure 1



## STEP 2 ASSEMBLE DOOR FRAME

Gather Door Jamb components and lay on the floor to assemble your door frame. Using 1" screws, attach header (3) to jambs (1 & 2) with at least two screws on each side (see Figure 1).

Pre-Drill using 1/8" drill bit.

# Door Kit Includes:

## Single Bi-fold:

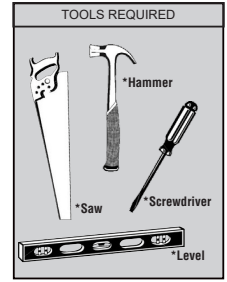
- 3 Blank Jambs ( 2 81-11/6" & 1 40")
- Bi-Fold And Hardware Shipped Separately

## Double Bi-fold:

- 3 Blank Jambs ( 3 81-11/6")
- Double Bifold Track
- Bi-Fold And Hardware Shipped Separately

## Required Materials (NOT INCLUDED)

- 2<sup>1</sup>/<sub>2</sub>" Screws
- 1" Screw
- Paint
- Shims (x8)

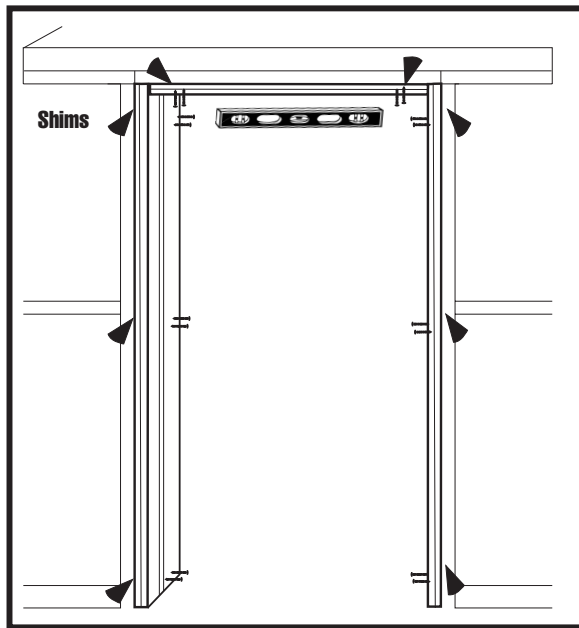


Single Bi-fold Cut Header Size Chart	
Bi-Fold Size	Cut To
18"	18-3/4"
20"	20-3/4"
22"	22-3/4"
24"	24-3/4"
26"	26-3/4"
28"	28-3/4"
30"	30-3/4"
32"	32-3/4"
34"	34-3/4"
36"	36-3/4"

Double Bi-fold Cut Header Size Chart	
Bi-Fold Size	Cut To
36" (Double 18")	36-7/8"
40" (Double 20")	40-7/8"
44" (Double 22")	44-7/8"
48" (Double 24")	48-7/8"
52" (Double 26")	52-7/8"
56" (Double 28")	56-7/8"
60" (Double 30")	60-7/8"
64" (Double 32")	64-7/8"
68" (Double 34")	68-7/8"
72" (Double 36")	72-7/8"

Double Bi-fold Cut Track Size Chart	
Bi-Fold Size	Cut To
36" (Double 18")	35-3/4"
40" (Double 20")	39-3/4"
44" (Double 22")	43-3/4"
48" (Double 24")	47-3/4"
52" (Double 26")	51-3/4"
56" (Double 28")	55-3/4"
60" (Double 30")	59-3/4"
64" (Double 32")	63-3/4"
68" (Double 34")	67-3/4"
72" (Double 36")	71-3/4"

**Figure 2**



### STEP 3 INSTALL FRAME INTO R.O.

Using 2<sup>1</sup>/<sub>2</sub>" screws/nails and shims fasten frame to your R.O. (see Figure 2). Using a level ensure your frame is exactly vertical by adjusting your shims accordingly. \*When working with an off standard opening some trimming of the jambs may be required.

### STEP 4 INSTALL BI-FOLD PER JELD-WEN INSTRUCTIONS

Refer to Jeld-Wen Bi-fold installation instructions provided with your Bi-fold door.



We warrant to the original owner if your Doorsmith/Jeld-Wen Product exhibits a defect in material or workmanship within 5 years from the date of purchase, we will, at our option, repair, replace or refund the purchase price of the Product or component part.